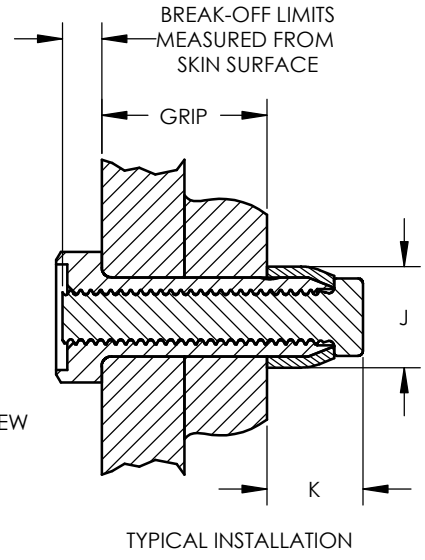
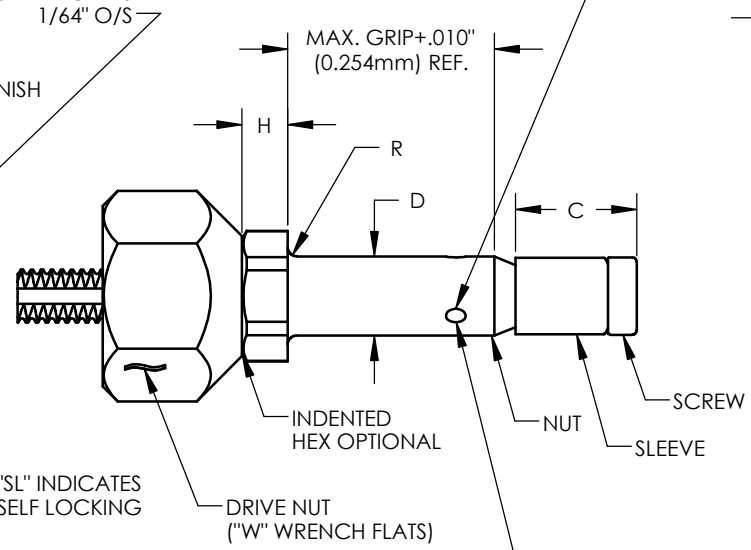
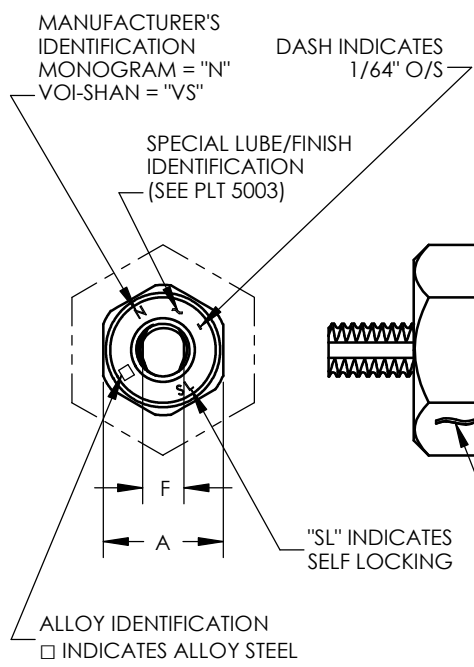




△ DISTORTION OF "D" DIA PERMISSIBLE IN LOCKING AREA



PART NUMBER	NOM DIA.		A HEX.		C MAX.		D DIA.		F FLATS		H HEAD HEIGHT		J DIA. MAX.		K MAX.	
	INCH	mm	INCH	MM	INCH	mm	INCH	mm	INCH	mm	INCH	mm	INCH	mm	INCH	mm
PLT5211-05-(-)	.179	4.55	.250 .244	6.35 6.20	.293	7.44	.1800 .1780	4.572 4.521	.086 .081	2.18 2.06	.096 .070	2.44 1.78	.244	6.20	.272	6.91
PLT5211-06-(-)	.214	5.44	.312 .305	7.92 7.75	.328	8.33	.2150 .2130	5.461 5.410	.104 .099	2.64 2.52	.113 .074	2.87 1.88	.300	7.62	.312	7.92
PLT5211-08-(-)	.275	6.98	.375 .367	9.52 9.32	.379	9.63	.2760 .2740	7.010 6.960	.135 .130	3.43 3.30	.135 .084	3.43 2.13	.384	9.75	.351	8.92
PLT5211-10-(-)	.326	8.28	.437 .429	11.10 10.90	.448	11.38	.3270 .3250	8.306 8.255	.152 .147	3.86 3.73	.160 .106	4.06 2.69	.427	10.85	.426	10.82
PLT5211-12-(-)	.389	9.88	.500 .491	12.70 12.47	.535	13.59	.3900 .3880	9.906 9.855	.185 .180	4.70 4.57	.190 .127	4.83 3.22	.516	13.11	.495	12.57

PART NUMBER	R RAD.		W REF. DRIVE NUT		BREAK-OFF LIMITS		MINIMUM AVAILABLE GRIP LENGTH	HOLE SIZE		PREVAILING TORQUE MIN.		DOUBLE SHEAR STRENGTH MIN.		TENSILE STRENGTH MIN.	
	INCH	mm	INCH	mm	INCH	mm		INCH	mm	IN-LB	Nm	LBS.	N	LBS.	N
PLT5211-05-(-)	.020 .010	0.51 0.25	.375	9.52	+0.088 +0.000	+2.23 +0.00	-01	.183 .180	4.65 4.57	1.0	0.113	3355	14900	900	4000
PLT5211-06-(-)	.025 .015	0.63 0.38	.375	9.52	+0.098 +0.010	+2.49 +0.25	-01	.218 .215	5.54 5.46	1.5	0.170	5240	23300	1400	6230
PLT5211-08-(-)	.025 .015	0.63 0.38	.375	9.52	+0.135 +0.047	+3.43 +1.19	-02	.279 .276	7.09 7.01	2.5	0.282	9000	40000	2100	9340
PLT5211-10-(-)	.030 .015	0.76 0.38	.500	12.70	+0.146 +0.043	+3.71 +1.09	-02	.330 .327	8.38 8.30	3.5	0.400	12000	53400	3600	16010
PLT5211-12-(-)	.030 .015	0.76 0.38	.500	12.70	+0.152 +0.049	+3.86 +1.24	-03	.393 .390	9.98 9.90	4.0	0.452	19500	86700	5600	24910

3423 SOUTH GARFIELD AVENUE
COMMERCE, CALIFORNIA 90040
(323) 722-4760 FAX (323) 727-1029

TITLE:
**VISU-LOK® II, FASTENER, BLIND
HEXAGONAL PROTRUDING HEAD
1/64" OVS DIAMETER
ALLOY STEEL**

DRAWING NO:
PLT5211(-)(-)(-)

DRAWN BY: G.MARTINEZ
DRAWN DATE: 08-15-13

APPROVED BY: _____
CHECKED DATE: _____



4 2ND DASH NO.	GRIP RANGE \triangle			
	GRIP MIN.		GRIP MAX.	
	INCH	mm	INCH	mm
-01	.032	0,81	.093	2,36
-02	.094	2,39	.156	3,96
-03	.157	3,99	.219	5,56
-04	.220	5,59	.281	7,14
-05	.282	7,16	.344	8,74
-06	.345	8,76	.406	10,31
-07	.407	10,34	.469	11,91
-08	.470	11,94	.531	13,49
-09	.532	13,51	.594	15,09
-10	.595	15,11	.656	16,66
-11	.657	16,69	.719	18,26
-12	.720	18,29	.781	19,84
-13	.782	19,86	.844	21,44
-14	.845	21,46	.906	23,01
-15	.907	23,04	.969	24,61
-16	.970	24,64	1.031	26,19

4 2ND DASH NO.	GRIP RANGE \triangle			
	GRIP MIN.		GRIP MAX.	
	INCH	mm	INCH	mm
-17	1.032	26,21	1.094	27,79
-18	1.095	27,81	1.156	29,36
-19	1.157	29,39	1.219	30,97
-20	1.220	30,98	1.281	32,54
-21	1.282	32,55	1.344	34,14
-22	1.345	34,15	1.406	35,72
-23	1.407	35,73	1.469	37,32
-24	1.470	37,33	1.531	38,89
-25	1.532	38,90	1.594	40,49
-26	1.595	40,50	1.656	42,07
-27	1.657	42,08	1.719	43,67
-28	1.720	43,68	1.781	45,24
-29	1.782	45,25	1.844	46,84
-30	1.845	46,85	1.906	48,42
-31	1.907	48,43	1.969	50,02
-32	1.970	50,03	2.031	51,59



PROCUREMENT SPEC:

PROCUREMENT SPECIFICATION = PLT 5000, CLASS I, TYPE V
 PART NUMBER ASSIGNMENT = PLT 5001
 INSTALLATION AND REMOVAL = PLT 5002
 SPECIAL LUBE AND FINISH = PLT 5003

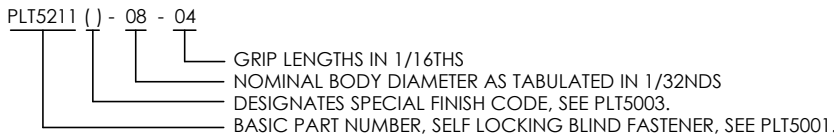
MATERIAL: NUT & SCREW: ALLOY STEEL, 4130 PER AMS-S-6758, 4140 PER AMS6382 OR AMS6349 OR 8740 PER AMS6322.
 SLEEVE: CORROSION RESISTANT STEEL, 303 PER AMS5639 OR 304 PER AMS5641.
 DRIVE NUT: MILD STEEL.

HEAT TREAT: NUT & SCREW: HEAT TREAT PER AMS2759 TO HRC 39-43.
 SLEEVE & DRIVE NUT: AS REQUIRED FOR PERFORMANCE.

FINISH: NUT & SCREW: CADMIUM PLATE PER AMS-QQ-P-416 TYPE II, CLASS 2. CADMIUM PLATE PER NAS672 IS PERMISSIBLE PROVIDED IT IS FOLLOWED BY A DICHROMATE POST TREATMENT PER AMS-QQ-P-416.
 SLEEVE: PASSIVATE PER AMS2700 AND CADMIUM PLATE PER AMS-QQ-P-416 TYPE I, CLASS 3.
 DRIVE NUT: CORROSION RESISTANT COATING. COLOR GOLD.

LUBRICANT: SOLID DRY FILM LUBE PER THE CHEMICAL REQUIREMENTS OF AS5272 TYPE I, OR EVERLUBE 812 PER MIL-PRF-81329, PARAFFIN WAX OR CETYL ALCOHOL PER AS87132 MAY BE APPLIED TO ANY OR ALL COMPONENTS AS REQUIRED FOR PERFORMANCE. (SEE PLT 5003 FOR SPECIAL LUBRICANTS AND FINISHES).

PART CODE & EXAMPLE:



GENERAL NOTES:

1. LOCKING FEATURE CONSISTS OF THREE (3) INDENTATIONS LOCATED 120° APART ON THE PERIPHERY OF THE NUT COMPONENT.
2. HALF-GRIP SIZES MAY BE ORDERED BY ADDING (.5) TO THE GRIP DASH NUMBERS.
 EXAMPLE: PLT5211-06-4.5 INDICATES A NOMINAL GRIP LENGTH OF 4.5 SIXTEENTHS = 0.281" (7,14mm) AND A GRIP RANGE OF .250" THRU .312" (6,35mm THRU 7,92mm).
3. DISTORTION OF "D" DIAMETER SHALL NOT PREVENT INSERTION OF THE FASTENER INTO A RING GAUGE OF LENGTH EQUAL TO ONE DIAMETER AND DIAMETER EQUAL TO MINIMUM RECOMMENDED HOLE SIZE. FORCE FOR INSERTION SHALL NOT EXCEED FIVE (5) POUNDS (22.23 NEWTONS).
4. SECOND DASH NUMBER (GRIP RANGE) -17 THROUGH -32 NOT AVAILABLE IN -05 DIAMETER.
5. HEAD MARKINGS DESPRESSED .010" (0.254mm MAX.), POSITION OPTIONAL.



TITLE:
 VISU-LOK® II, FASTENER, BLIND
 HEXAGONAL PROTRUDING HEAD
 1/64" OVS DIAMETER
 ALLOY STEEL

DRAWING NO: PLT5211 () - () - ()	
DRAWN BY: G.MARTINEZ	DRAWN DATE: 08-15-13
APPROVED BY:	CHECKED DATE:

PROPRIETARY AND CONFIDENTIAL: NOTICE: THIS DRAWING IS PART OF THE PROPRIETARY ARTICLE HEREIN DISCLOSED, OWNED BY MONOGRAM AEROSPACE FASTENERS. ANY PARTY BY ACCEPTING THIS DOCUMENT ASSUME CUSTODY THEREOF AND AGREES:
 A: THE INFORMATION SET FORTH HEREIN IS GIVEN IN CONFIDENCE AND THIS DOCUMENT WILL NOT BE COPIED OR REPRODUCED IN WHOLE OR IN PART, NOR ITS CONTENTS REVEALED IN ANY MANNER TO ANY PERSON EXCEPT TO MEET THE PURPOSE FOR WHICH IT WAS DELIVERED.
 B: WITHOUT THE WRITTEN CONSENT OF MONOGRAM AEROSPACE FASTENERS, THIS DOCUMENT AND THE INFORMATION CONTAINED HEREIN UNDER NO CIRCUMSTANCES WILL BE USED IN THE MANUFACTURE OR REPRODUCTION OF THE ARTICLE DISCLOSED, AND THE DELIVERY OF THIS DOCUMENT SHALL NOT CONSTITUTE ANY RIGHT OR LICENSE TO DO SO.

Alcoa CAGE CODE: 5M902	MONOGRAM CAGE CODE: 98524	ECN NO: 14-0783	REV: G
		ECN DATE: 11/16/14	SHEET 2 OF 2