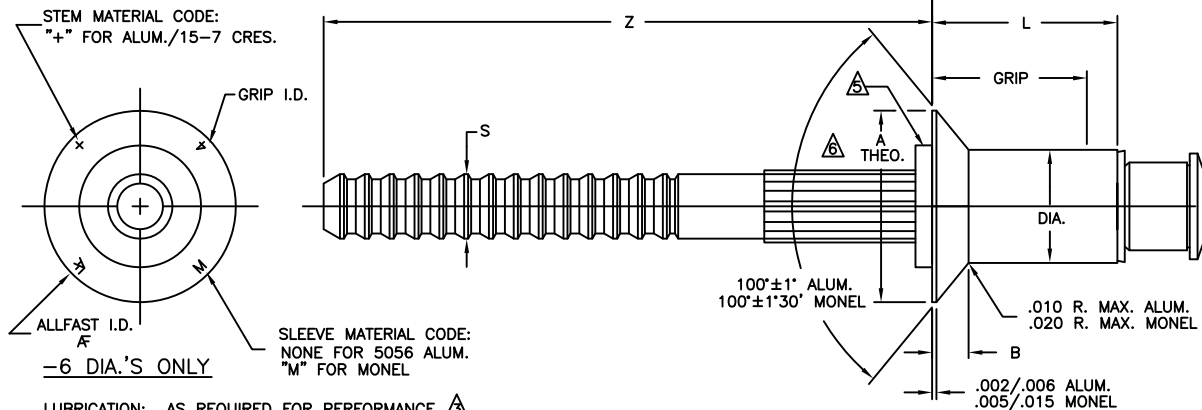


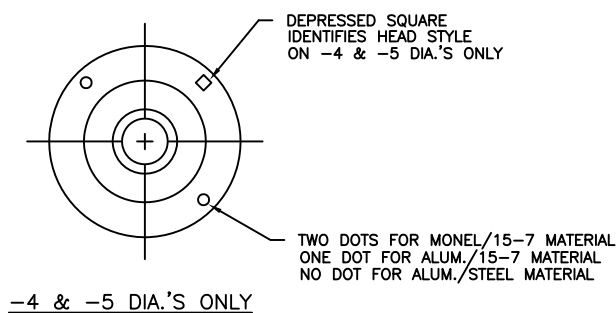
ALLFAST

FASTENING SYSTEMS, INC.



DIA. DASH NO.	DIA. +.003 - .001	A DIA. ±.004	B REF.	S DIA.	Z MIN.	HOLE LIMITS	DRILL SIZE NO.
-4	.126	.192	.028	.071	.87	.129-.132	30
-5	.157	.243	.037	.089	.94	.160-.164	20
-6	.189	.299	.046	.108	.94	.192-.196	10

GRIP LIMITS	GRIP DASH NO.	-4 DIA.		-5 DIA.		-6 DIA.	
		L +.000 - .030	K MAX.	L +.000 - .030	K MAX.	L +.000 - .030	K MAX.
MIN.	MAX.						
.125	.187	.224	.45	.230	.47	.262	.51
.126	.187	.287	.51	.293	.53	.325	.57
.188	.250	.349	.57	.355	.59	.387	.64
.251	.312	.412	.63	.418	.65	.450	.70
.313	.375	.474	.70	.480	.72	.512	.76
.376	.437	.537	.76	.543	.77	.575	.82
.438	.500	.599	.82	.605	.84	.637	.88
.501	.562	.662	.88	.668	.90	.700	.95
.563	.625			.730	.96	.762	1.01
.626	.687			.793	1.02	.825	1.07
.688	.750					.887	1.13



RIVET NO.	MATERIAL			FINISH		
	SLEEVE	STEM	LOCK RING	SLEEVE	STEM	LOCK RING
AF3214 NAS9303B Δ	5056 ALUM. ALLOY QQ-A-430	8740 ALLOY STEEL AMS 6322	A-286 CRES AMS 5731	MIL-DTL-5541 PLAIN COLOR	CAD PLATE AMS-QQ-P-416 TYPE II CLASS II	PASSIVATE AMS2700
AF3224 NAS9303E Δ	5056 ALUM. ALLOY QQ-A-430	PH 15-7 MO. CRES AMS 5657	A-286 CRES AMS 5731	MIL-DTL-5541 PLAIN COLOR	PASSIVATE AMS2700	PASSIVATE AMS2700
AF3524 NAS9309M Δ	MONEL QQ-N-281	PH 15-7 MO. CRES AMS 5657	A-286 CRES AMS 5731	NONE	PASSIVATE AMS2700	PASSIVATE AMS2700
AF3524DL	MONEL QQ-N-281	PH 15-7 MO. CRES AMS 5657	A-286 CRES AMS 5731	NONE	PASSIVATE AMS2700 DICRONITE DL-5	PASSIVATE AMS2700
AF3524R	MONEL QQ-N-281	PH 15-7 MO. CRES AMS 5657	A-286 CRES AMS 5731	NONE	PASSIVATE AMS2700 AF90	PASSIVATE AMS2700
AF3524P NAS9309MN Δ	MONEL QQ-N-281	PH 15-7 MO. CRES AMS 5657	A-286 CRES AMS 5731	ALUM. COAT NAS 4006	PASSIVATE AMS2700	PASSIVATE AMS2700
AF3524F NAS9309ML Δ	MONEL QQ-N-281	PH 15-7 MO. CRES AMS 5657	A-286 CRES AMS 5731	ALUM. COAT MIL-C-83488	PASSIVATE AMS2700	PASSIVATE AMS2700
AF3524PPR	MONEL QQ-N-281	PH 15-7 MO. CRES AMS 5657	A-286 CRES AMS 5731	ALUM. COAT MIL-C-83488	PASSIVATE AMS2700 AF90	PASSIVATE AMS2700
AF3214G	5056 ALUM. ALLOY QQ-A-430	8740 ALLOY STEEL AMS 6322	A-286 CRES AMS 5731	MIL-DTL-5541 PLAIN COLOR	ZINC NICKEL AMS2417	PASSIVATE AMS2700

NOTES:

DIA. DASH NO.	MIN. GRIP
-4	.063
-5	.065
-6	.080

AF3XXX (X) X -X S Δ

GRIP LENGTH IN 16THS
NOMINAL DIAMETER IN 32NDS.
FINISH CODE. USE "-" IN THIS POSITION UNLESS OTHERWISE SPECIFIED BY A LETTER CODE.
BASIC PART NUMBER.

- DO NOT CLEAN OR DEGREASE PRIOR TO INSTALLATION.
- ADD LETTER "T" TO BASIC PART NUMBER TO DESIGNATE TRANSLUBE OR DRY FILM LUBRICANT ONLY.
EXAMPLE: AF3214T4-3
- HEAD MARKING VISIBLE AFTER INSTALLATION.
- GOLD COLORED DRIVING ANVIL IDENTIFIES NOMINAL RIVETS.
- SPIRAL KNURL OPTIONAL.
- ADD LETTER "R" TO BASIC PART NUMBER TO DESIGNATE AF90 OR MOLYBDENUM DISULFIDE AT MANUFACTURER'S OPTION ON STEM ONLY. AF90 IS A DRY FILM LUBRICANT.
- ADD LETTER "S" TO END OF PART NUMBER TO DESIGNATE FASTENERS LOADED IN STRIPS FOR USE WITH RV3000 INSTALLATION TOOL.

**UNCONTROLLED COPY
WILL NOT BE KEPT UP TO DATE**

BY:	DATE	REV.	BY	DATE	C.R.NO.	STANDARD	
DRAWN BY: J.YOUSSEF	04/10/90	Q	P.M.	08/05/08	6495	ALLMAX RIVET 100' FLUSH SHEAR HEAD, LOCKED SPINDLE NOMINAL DIAMETER	AF3214 AF3524
CHECKED: APPROVAL		R	P.M.	09/11/15	9188		AF3224
APPROVED: ON FILE		S	P.M.	08/11/17	9850		